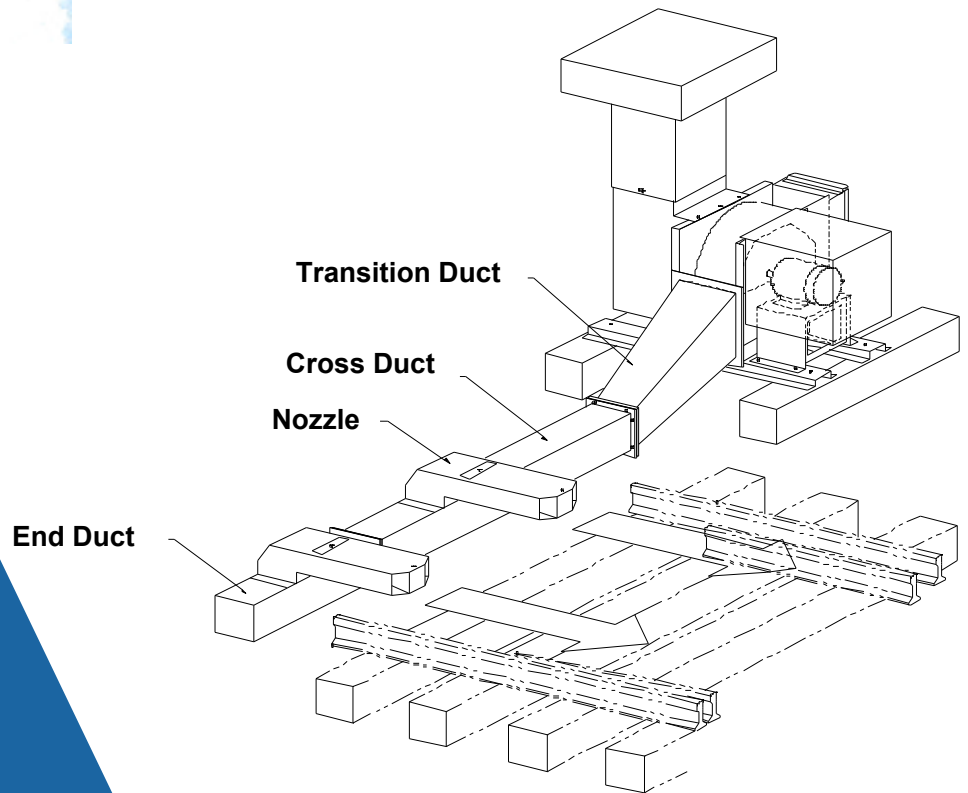


# DUCT WORK



Our ducting transports air from both HACs and switch heaters to the rails or switch points.

Our duct work is available in both insulated and non insulated. It is also available in different sizes and angle configurations. To ensure safe electrical work, it creates electrical isolation with electrically isolated gaskets.

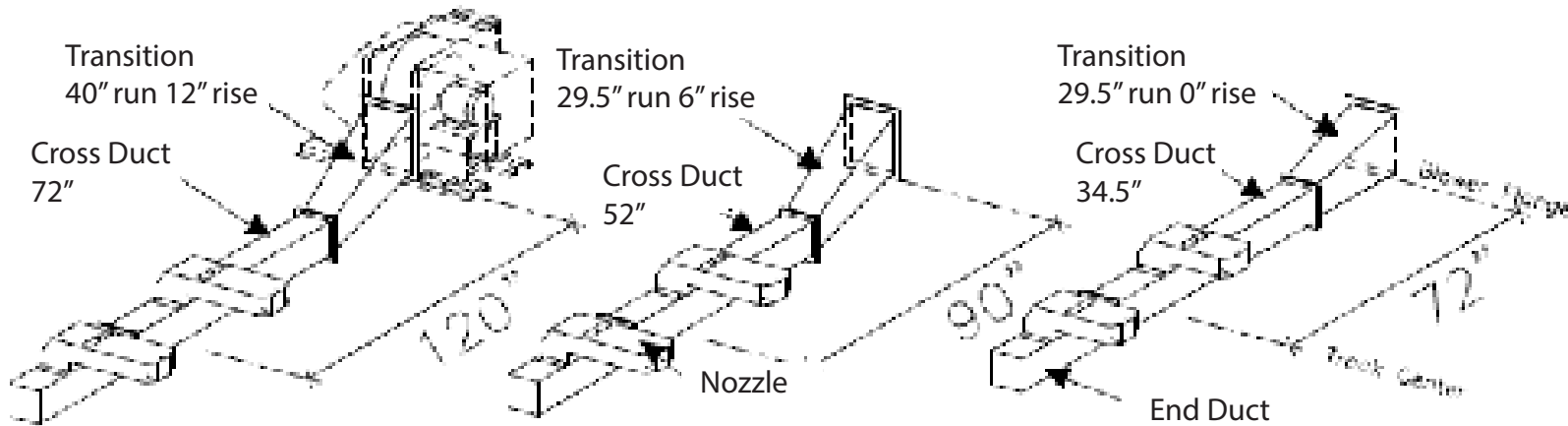


Galvanized or stainless steel  
for corrosion resistance.

Can be used with cold or hot air  
blowers.

Constructed with bolt together flanges &  
gaskets to join multiple pieces.

**Here at Hovey we  
value quality  
and  
craftsmanship**



**Let Hovey Build Products That Meet Your Goals**



[www.hovey.ca](http://www.hovey.ca)  
[sales@hovey.ca](mailto:sales@hovey.ca)  
613-822-1765

2793 Fenton Road,  
Gloucester, ON  
K1T 3T9